

DISYUNTORES MAGNETOTÉRMICOS y MAGNETODIDRÁULICOS

1

MAGNETOTHERMIC and MAGNETOHYDRAULIC CIRCUIT BREAKERS



DISYUNTORES MAGNETOTÉRMICOS

Corriente Continúa

OB12Z-63 DC MINIATURE CIRCUIT BREAKER

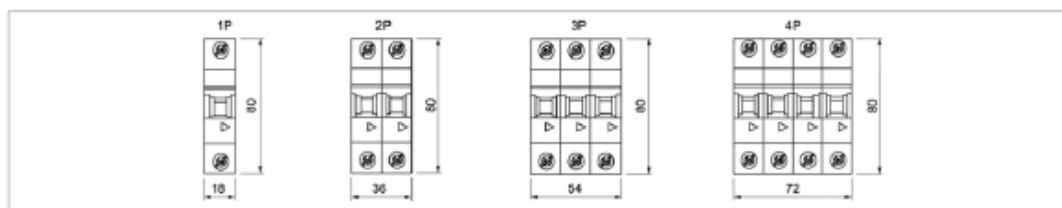
OB12Z DC breaker supplementary protectors are designed to provide overcurrent protection within appliances or electrical equipment, where a branch circuit protection is already provided or not required. Devices are designed for direct current (DC) control circuit applications.



Technical Parameter

OB12Z Series Circuit Breaker		OB12Z-63			
Frame degree rated current (A)		63			
Electrical performance					
Ue Rated operating voltage (V DC)		1P:DC250V 2P:DC500V DC600V 3P: DC800V 4P:DC1000V DC1200V			
Rated Current In (A)		6-10-16-20-25-32-40-50-63			
Rated insulation voltage Ui (V DC)		2P: 800V 4P:1200V			
Rated Impact voltage Uimp (kV)		4			
Ultimate breaking capacity Icu (kA)		6	6	6	6
Run breaking capacity Ics (%Icu)		75%	75%	75%	75%
Curve type		C			
Trip type		Thermal-magnetic			
MECHANICAL	Actual average value	20000			
	Standard value	8500			
ELECTRIC	Actual average value	2500			
	Standard value	1500			
Control and indication					
Shunt release (SHT)					
Undervoltage release(UNT)		Option			
Auxiliary contact (AX)					
Alarm contact (AL)					
Connection and installation					
Wiring capacity (mm ²)		In < 32A, 1-25 mm ² , >40A, 10-35mm ²			
Ambient temperature (° C)		-20~70			
Altitude		<2000			
Relative humidity		< 95%			
Pollution Level		3			
Installation Environment		No obvious shock and vibration			
Installation category		Class III			
Installation		DIN Standard rail			
Dimensions(W)x(H)x(Deep)	W	18	36	54	72
	H	80	80	80	80
	Deep	71	71	71	71
Weight (kg)		0.12	0.24	0.36	0.48

Dimensions(mm)



OB12Z-125 MINI CIRCUIT BREAKER



Application

The product is used in DC50/60HZ 1P 250V, 2P 500V, 3P 750V, 4P 1000V , rated current 80-125A,for protecting the circuit from overload and short circuit. Meanwhile it is applicable to an unfrquent switch over the electric apparatus and lighting circuit under normal condition. It is conformity with GB14048.2,IEC60947-2s standards.

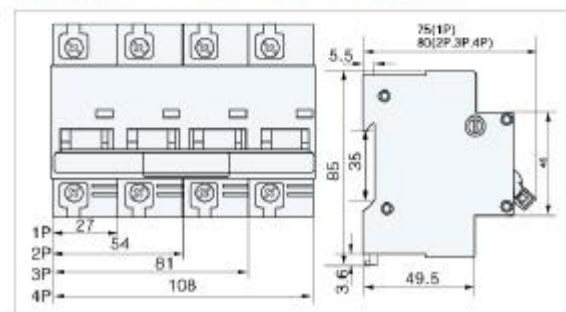
Main Technical Parameters

Type	OB12Z-125 MCB
Number of poles	1P, 2P, 3P, 4P
Rated Current(In)	80A,100A,125A
Rated Voltage(Un)	DC:1P 250V, 2P 500V, 3P 750V, 4P 1000V
Rated frequency	50(60)Hz
Curve	C
Short-circuit breaking capacity(Icn)	10000A (10kA)
Magnetic releases operate	C curve: between 5 and 10 In
Endurance	≥ 4000
Terminal protection	IP20

Product's Advantage

- 1.Our products have the guarantee period of 36 calendar months,that is a high quality and reliability;
- 2.Our products have an excellent ratio between price and quality, you can possess them by competitive price and high quality;
- 3.The fast and flexible production form aim at the customer require;
- 4.The deliveries exactly in accordance with customer orders.
- 5.The fast transportation.
- 6.Wide in variety, entire in specifications, it is aesthetic in appearance to design and convenient to install.

Overall and Mounting Dimensions



Construction Features

The breaker is characterized by compact design, light weight, elegant appearance, high breaking capacity, swift tripping and long service life.

Corriente Alterna

OB12-63 Mini Circuit Breaker



Application

OB12-63 Protection and control of circuit against overload and short circuit,In building installation-such as houses,offices,commercial complex,motor system(D curve) and industrial installation-for switching ,control,protection and regulation of electrical circuits. Also in switchgear panels,railway and marine application.

Main Technical Parameters

Type	OB12-63 MCB
Number of poles	1P, 2P, 3P, 4P
Rated Current(I _n)	1, 2, 3, 4, 6, 10, 16, 20, 25, 32, 40, 50, 63A
Rated Voltage(U _n)	AC 230(240)/400(415)V
Rated frequency	50(60)Hz
Curve	B, C, D
Short-circuit breaking capacity(I _{cn})	6000A
Magnetic releases operate	B curve: between 3 and 5 I _n C curve: between 5 and 10 I _n D curve: between 10 and 14 I _n
Endurance	≥ 4000
Terminal protection	IP20

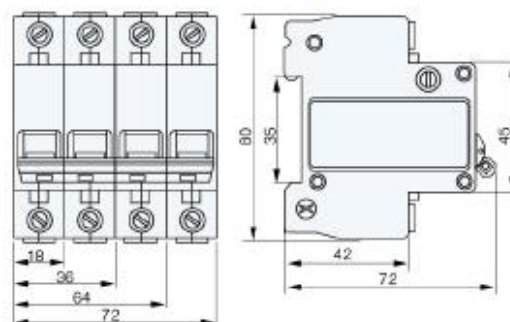
Product's Advantage

- 1.Our products have the guarantee period of 36 calendar months,that is a high quality and reliability;
- 2.Our products have an excellent ratio between price and quality, you can possess them by competitive price and high quality;
- 3.The fast and flexible production form aim at the customer require;
- 4.The deliveries exactly in accordance with customer orders
- 5.The fast transportation.
- 6.Wide in variety, entire in specifications, has high short-circuit breaking capacity,can reach 6KA , it is aesthetic in appearance to design and convenient to install.

Construction Feature

The pass electric current characteristic of circuit breaker can not be changed with outside mechanical tool ; The accessory which made by ferrous metal should have proper anti-rusting measure; The operating organization must be flexible and reliable, and should have freed function to take off and deduct; the Operate part can not be taken down from the shell outer of products,the shell of product can not influence the operating organization to work.

Overall and Mounting Dimensions



OB12-125 Mini Circuit Breaker



Application

The product is used in AC50/60HZ single pole 230V, two, three, four poles 400V, rated current 63-125A, for protecting the circuit from overload and short circuit. Meanwhile it is applicable to an unfrequent switch over the electric apparatus and lighting circuit under normal condition. It is conformity with GB14048.2/JEC60947-2s standards.

Main Technical Parameters

Type	OB12-125 MCB
Number of poles	1P, 2P, 3P, 4P
Rated Current(I _n)	63A,80A,100A
Rated Voltage(U _n)	AC 230(240)/400(415)V
Rated frequency	50(60)Hz
Curve	B, C, D
Short-circuit breaking capacity(I _{cn})	10000A (10kA)
Magnetic releases operate	B curve: between 3 and 5 I _n C curve: between 5 and 10 I _n D curve: between 10 and 20 I _n
Endurance	≥ 4000
Terminal protection	IP20

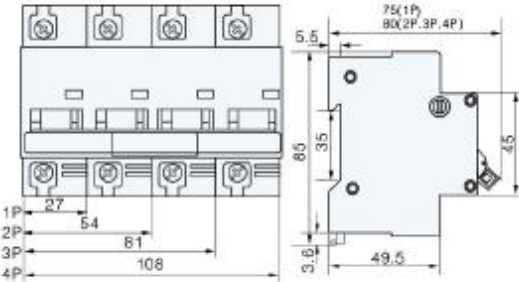
Product's Advantage

- 1.Our products have the guarantee period of 36 calendar months,that is a high quality and reliability;
- 2.Our products have an excellent ratio between price and quality, you can possess them by competitive price and high quality;
- 3.The fast and flexible production form aim at the customer require;
- 4.The deliveries exactly in accordance with customer orders.
- 5.The fast transportation.
- 6.Wide in variety, entire in specifications, it is aesthetic in appearance to design and convenient to install.

Construction Features

The breaker is characterized by compact design, light weight, elegant appearance, high breaking capacity, swift tripping and long service life.

Overall and Mounting Dimensions



OB8-63 Mini Circuit Breaker



Application

The product is mainly used in AC50/60HZ single-pole 230V or two, three, four-pole 400V circuit for overload and short-circuit protection as well as for un-frequent on-and-off switching electric equipment and lighting circuit under normal condition. The product is suitable for industry, business, building, residence, etc. It is conformity with GB10963, IEC60898 standards.

Main Technical Parameters

Type	OB8-63 MCB
Number of poles	1P, 2P, 3P, 4P
Rated Current(In)	1, 2, 3, 4, 6, 10, 16, 20, 25, 32, 40, 50, 63A
Rated Voltage(Un)	AC 230(240)/400(415)V
Rated frequency	50(60)Hz
Curve	B, C, D
Short-circuit breaking capacity(Icn)	6000A (6kA)
Magnetic releases operate	B curve: between 3 and 5 In C curve: between 5 and 10 In D curve: between 10 and 20 In
Endurance	≥ 4000
Terminal protection	IP20

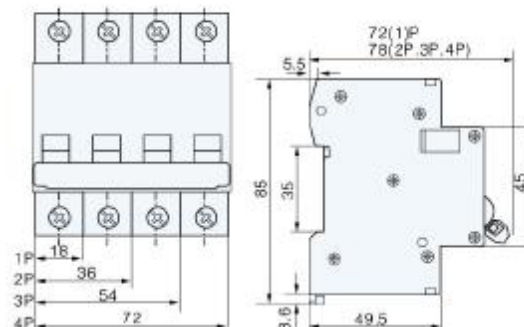
Construction Features

1. Much higher short circuit breaking capacity.
2. Dual-connection convenient for both standard busbar and conductor connection.
3. Improved safety of operators offered by special design of terminals.
4. Much longer service life thanks to energy storage operating mechanism.
5. A variety of modular auxiliaries allows for easy and quick installation.
6. Enclosure and functional parts made of advanced plastics with flame-retardant, heat-resistant and impulse-proof properties.
7. Higher current-limiting capacity ensuring a cost-effective range of products.

Product's Advantage

1. Our products have the guarantee period of 36 calendar months, that is a high quality and reliability;
2. Our products have an excellent ratio between price and quality, you can possess them by competitive price and high quality;
3. The fast and flexible production form aim at the customer require;
4. The deliveries exactly in accordance with customer orders
5. The fast transportation.
6. Wide in variety, entire in specifications, has high short-circuit breaking capacity, can reach 10KA, it is aesthetic in appearance to design and convenient to install.
7. OB8-63 serial miniature circuit breaker has high breaking capacity, the whole series from 1A to 63A can up to 6KA, and has high breaking potentiality, hold the trend of improve breaking capacity. It is aesthetic in appearance to design and convenient to install.

Overall and Mounting Dimensions



OB8-125 Mini Circuit Breaker



Application

The product is used in AC50/60HZ single pole 230V, two, three, four poles 400V, rated current 63-125A, for protecting the circuit from overload and short circuit. Meanwhile it is applicable to an uninfrequent switch over the electric apparatus and lighting circuit under normal condition.

It is conformity with GB14048.2, IEC60947-2s standards.

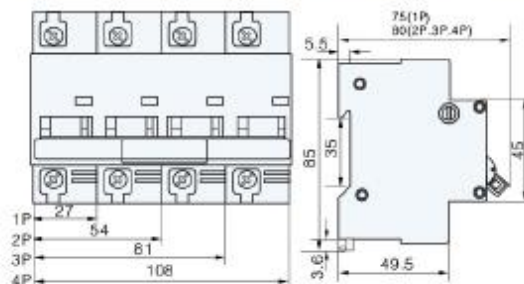
Main Technical Parameters

Type	OB8-125 MCB
Number of poles	1P, 2P, 3P, 4P
Rated Current(I _n)	63A, 80A, 100A
Rated Voltage(U _n)	AC 230(240)/400(415)V
Rated frequency	50(60)Hz
Curve	B, C, D
Short-circuit breaking capacity(I _{cn})	10000A (10kA)
Magnetic releases operate	B curve: between 3 and 5 I _n C curve: between 5 and 10 I _n D curve: between 10 and 20 I _n
Endurance	≥ 4000
Terminal protection	IP20

Product's Advantage

1. Our products have the guarantee period of 36 calendar months, that is a high quality and reliability;
2. Our products have an excellent ratio between price and quality, you can possess them by competitive price and high quality;
3. The fast and flexible production form aim at the customer require;
4. The deliveries exactly in accordance with customer orders.
5. The fast transportation.
6. Wide in variety, entire in specifications, it is aesthetic in appearance to design and convenient to install.

Overall and Mounting Dimensions



Construction Features

The breaker is characterized by compact design, light weight, elegant appearance, high breaking capacity, swift tripping and long service life.

DISYUNTORES MAGNETODIDRÁULICOS

Magnetic and Hydraulic-Magnetic Circuit Breaker 8345-...

Ordering information for UL 489

Type No.	8345
Mounting	B flange mounting, with rectangular aperture with mounting nut 6-32UNC C flange mounting, with rectangular aperture with mounting nut M3 E flange mounting, with round aperture with mounting nut 6-32UNC F flange mounting, with round aperture with mounting nut M3 X flange mounting, with rectangular aperture, with 2 mounting brackets
Configuration	0 without barrier for DC 1 with small barrier for DC (optional) 2 with large barrier for AC
Number of poles	1 single pole protected 2 two pole protected
Actuator configuration	A all poles with standard toggle B reduced number of standard toggles Z without actuator
Terminal design	L screw terminals M5 ≤ 50 A M solder terminals ≤ 75 A P blade terminals ≤ 95 A R round connectors 6 mm S stud terminals M5 ≤ 60 A T stud terminals 10-32UNF-3A ≤ 60 A U stud terminals M6 ≤ 125 A V stud terminals 1/4-20UNC-3A ≤ 125 A W laminated round terminals ≤ 125 A
Terminal hardware	0 without 3 with washer and nut 6 Phillips screws
Characteristic curve	K1 short delay DC K2 short delay AC M1 medium delay DC M2 medium delay AC T1 long delay DC T2 long delay AC
Version	D standard
Colour configuration	B1 black actuator B2 white actuator B3 blue actuator
Marking	front plate actuator base B1 without ON-OFF B2 I _n ON-OFF B3 I _n ON-OFF B4 I _n , characteristic curve, ON-OFF wiring diagram on side
Rated voltage	B AC or ≤ 80 V DC
Current ratings	0.05...125 A for DC 0.05...20 A for AC higher current ratings upon request
Approvals (optional)	V UL 489
Ordering example	8345 - C 0 1 A - U 3 M1 - D B1 B1 B - 60 A - . ordering example

Remote trip coil available to special order!

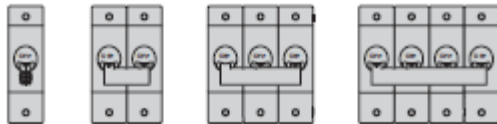
Ordering information for auxiliary contact module

Type number	X8345
Module	S auxiliary contact module
Auxiliary contacts	01 in all poles 02 in pole 1 only 04 in pole 2 only
Auxiliary contact version	K auxiliary contacts, tin-plated (symmetrical terminals)
Auxiliary contact function	W1 1 changeover
Terminal design	02 microswitch with blade terminals DIN 46244-A2.8-0.5
	M mounted to base unit
Ordering example	X8345 - S 01 K W1 02 M ordering example

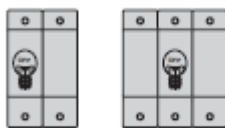
ETA Magnetic and Hydraulic-Magnetic Circuit Breaker 8345-...

Actuator configuration

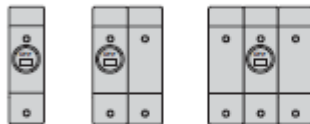
A 1 toggle per pole, mounting version B/C



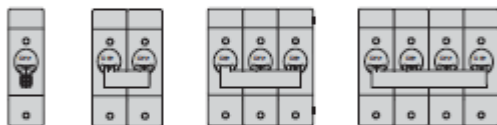
B reduced number of toggles per unit, mounting version B/C



Z without toggles



A 1 toggle per pole, mounting version E/F

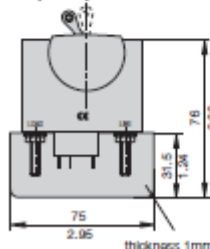


B reduced number of toggles per unit, mounting version E/F

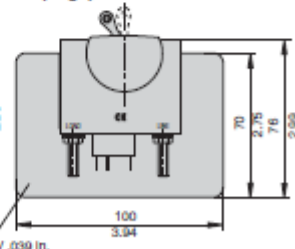


Interphase barriers / Dimensions

1 - Interphase barrier (small)



2 - Interphase barrier (large)



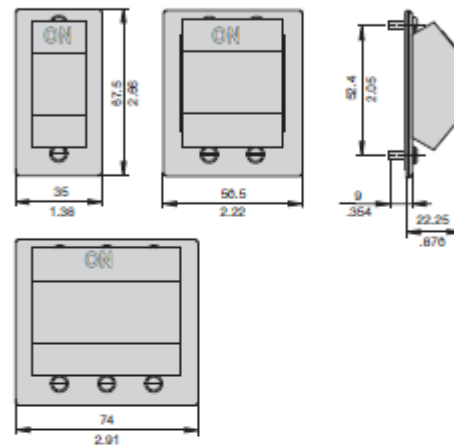
This is a metric design and millimeter dimensions take precedence (mm)

All dimensions without tolerances are for reference only. In the interest of improved design, performance and cost effectiveness the right to make changes in these specifications without notice is reserved. Product markings may not be exactly as the ordering codes. Errors and omissions accepted.

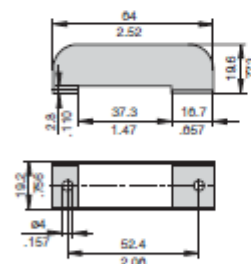
Accessories

Splash cover (IP65) for 1-, 2-, 3-pole (only for mounting version B/C)

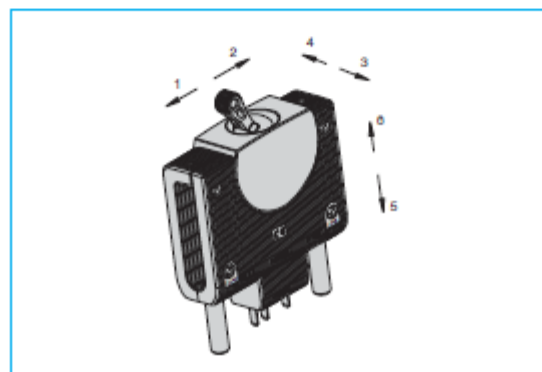
	number of poles	mounting version	actuator configuration
X 222 444 01	1-pole	B	1
X 222 444 02	1-pole	C	1
X 222 444 11	2-pole	B	2
X 222 444 12	2-pole	C	2
X 222 444 21	3-pole	B	3
X 222 444 22	3-pole	C	3



Toggle guard (only for mounting version B/C) Y 307 381 01



Shock directions



Technical information

Hydraulic-Magnetic Circuit Breaker Type 8345

Reliability and endurance are indispensable features of switching and control systems in telecommunications, factory automation and railway technology. If only one component fails in such a sophisticated application the consequences may be disastrous. The hydraulic-magnetic circuit breaker 8345 has been particularly designed for these demanding requirements: it consists of a powerful basic device which

can be tailored to customer's needs by a wide range of additional features and options. As a new module the remote ON/OFF actuation X8345-R has now become available. It provides remotely controlled ON and OFF functionality of the circuit breaker.

Type 8345 is available with a choice of characteristic curves and is suitable for

use in AC circuits as well as DC circuits up to 80 V, and with ratings from 0.05 A through 125 A. A special version for DC 110 V is also available. The product is fully UL and VDE approved.

Technical data

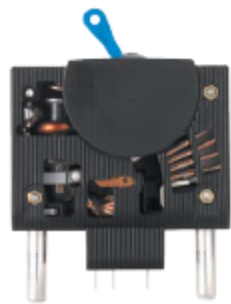
Rated voltage	DC 80 V, DC 110 V, AC 230/400 V, AC 277/480 V
Current rating range	0.05...125 A
Ambient temperature	-40...+85 °C (-40...+185 °F)
Rupture capacity EN 60934, PC1 UL 489 / UL 1077	5,000 A/10,000 A
Typical life	10,000 cycles at rated current
Number of poles	1-4 poles

Approvals

VDE (EN/IEC 60934)
UL 489 / UL 1077

Features and benefits

- wide range of characteristic curves for current ratings 0.05 through 125 A
- suitable for worldwide usage with UL and VDE approvals
- max. current rating 125 A, narrow profile (19 mm)
- plug-in design with hot-swap function (with 6 mm round connectors) for entire current rating range
- remote trip module snapped onto the base unit
- remote ON/OFF actuation module for operation of the circuit breaker from a centralised control room



Hydraulic-Magnetic Circuit Breaker Type 8345 + X8345-R (remote ON/OFF actuation module)



Hydraulic-Magnetic Circuit Breaker Type 8345 + X8345-F (remote trip module)





low voltage

QY - Series Miniature Circuit Breakers



1 pole
DIN mount



1 pole
Dual (DIN & mini rail) mount



2 pole
Dual (DIN & mini rail) mount



4 Pole + Auxiliary
Dual (DIN & mini rail) mount

Features

- DC circuit breaker
- Hydraulic-magnetic technology
- 100% rating capability, independent of ambient temperature
- VDE, EAC and CCC approved, CE certified
- UL listed (UL 489A)
- Ratings 0.1 A to 63 A (1 & 2 pole), 3 pole parallel (150 A maximum), 4 pole parallel (200 A maximum)
- Optional shunt trip (Approvals pending)
- Wide range of time delays and operating currents
- Precision tripping characteristics
- Ultra compact – 13 mm wide module
- Trip indication with mid-trip handle
- Can be switched on immediately after tripping
- DIN mount, 45 mm front escutcheon (Grey)
- Dual (DIN & mini rail) mount, 57 mm front escutcheon (Black)
- 80 Vdc devices are reverse feedable
- 125 / 250 / 600 Vdc devices are polarity sensitive
- Suitable to use for electrical isolation

Optional Accessories

- Handle lock - QFAP001
- Surface mounting clips - SAAX000
- Busbar - SABBM54
- 57 mm escutcheon blank (Dual mount only) - 235608
- 57 mm safety blank (Dual mount only) - SAEB000

Applications

- DC branch circuit protection (UL 489A, DIN / EN 60947-2)
- Telecom / datacom equipment
- UPS equipment
- Alternative energy equipment
- Battery protection & switching
- Telecommunication DC power distribution
- Railway signalling equipment

Auxiliary Switch, Trip Alarm & Combo: Features

- Factory fitted
- Attached to right hand side of circuit breaker
- Compact 6.5 mm width
- Auxiliary switch (DIN and Dual mount)
- Auxiliary switch + trip alarm (Dual mount only)
- Trip alarm (Dual mount only)
- UL 489A listed & IEC 60947-5-1
110 Vdc, 0.5 A; 240 Vac, 6A



FABRICACIÓN de CABLES ENSAMBLADOS ESPECIALES y SOLUCIONES en CONECTIVIDAD

MANUFACTURING of SPECIAL ASSEMBLED CABLES and CONNECTIVITY SOLUTIONS

Gracias por su confianza

Thank you for your business

Síguenos en:



LA MARCA AMC ELECTRÓNICA Y SU LOGOTIPO SON MARCAS REGISTRADAS. TODO EL MATERIAL GRÁFICO PRESENTE EN ESTE CATALOGO ES PROPIEDAD DE AMC ELECTRÓNICA S.L. ESTA PROHIBIDO EL USO O REPRODUCCION DE LA TOTALIDAD O PARTE DEL CONTENIDO SIN PERMISO PREVIO. EDICION: 1ª | 202401 ENERO 2024 © AMC ELECTRÓNICA - TODOS LOS DERECHOS RESERVADOS.

THE AMC ELECTRÓNICA BRAND AND ITS LOGO ARE REGISTERED TRADEMARKS. ALL IMAGES CONTAINED IN THIS CATALOGUE ARE THE PROPERTY OF AMC ELECTRÓNICA S.L. REPRODUCTION OF ANY PART OF THIS CATALOGUE WITHOUT PRIOR PERMISSION IS STRICTLY FORBIDDEN. THIS EDITION: 1st | 202401 JANUARY 2024. AMC ELECTRÓNICA © ALL RIGHTS RESERVED.